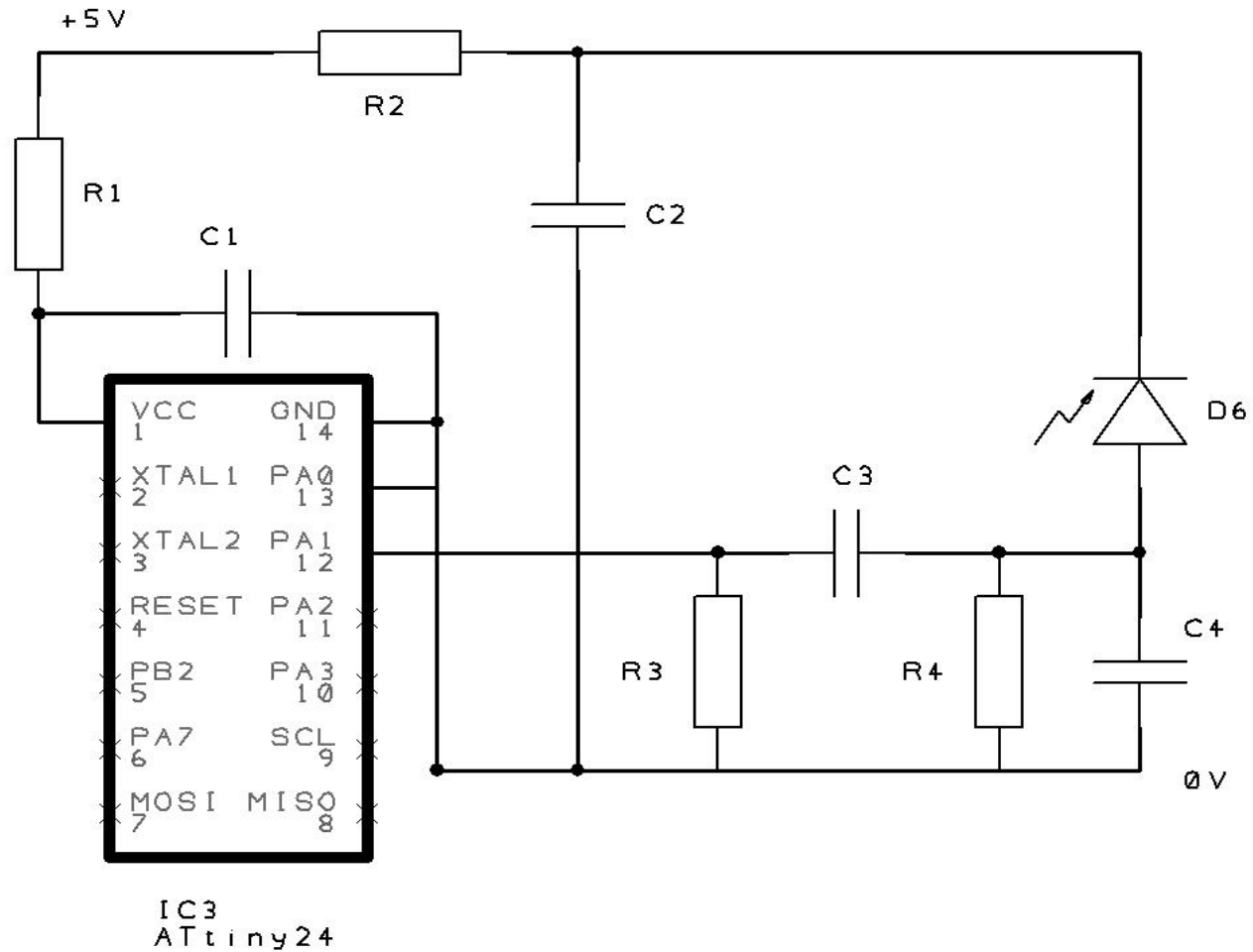


AVR ADC “gotchas”

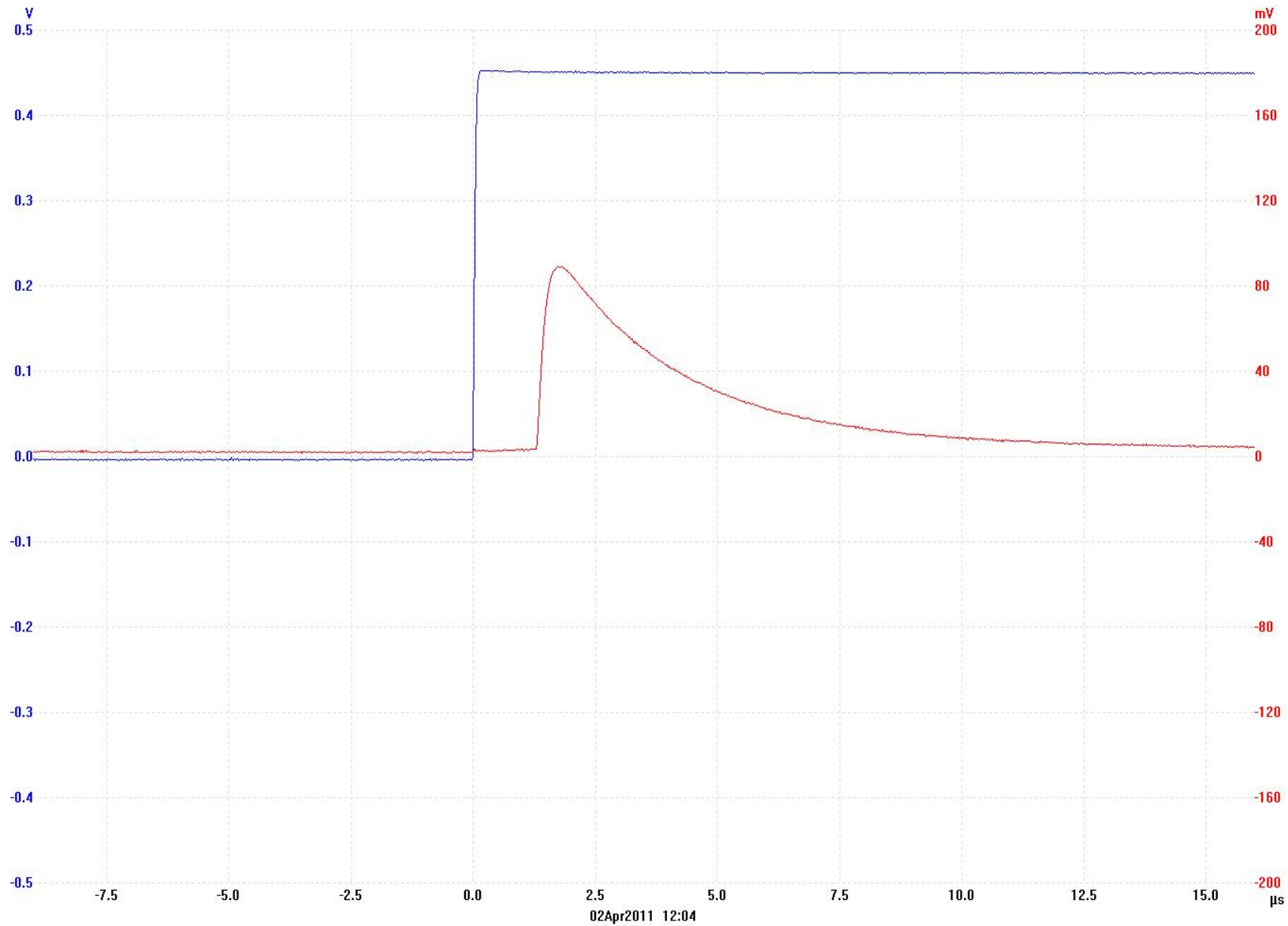
Or:

How I wasted a lot of time.

#1 RTFM!



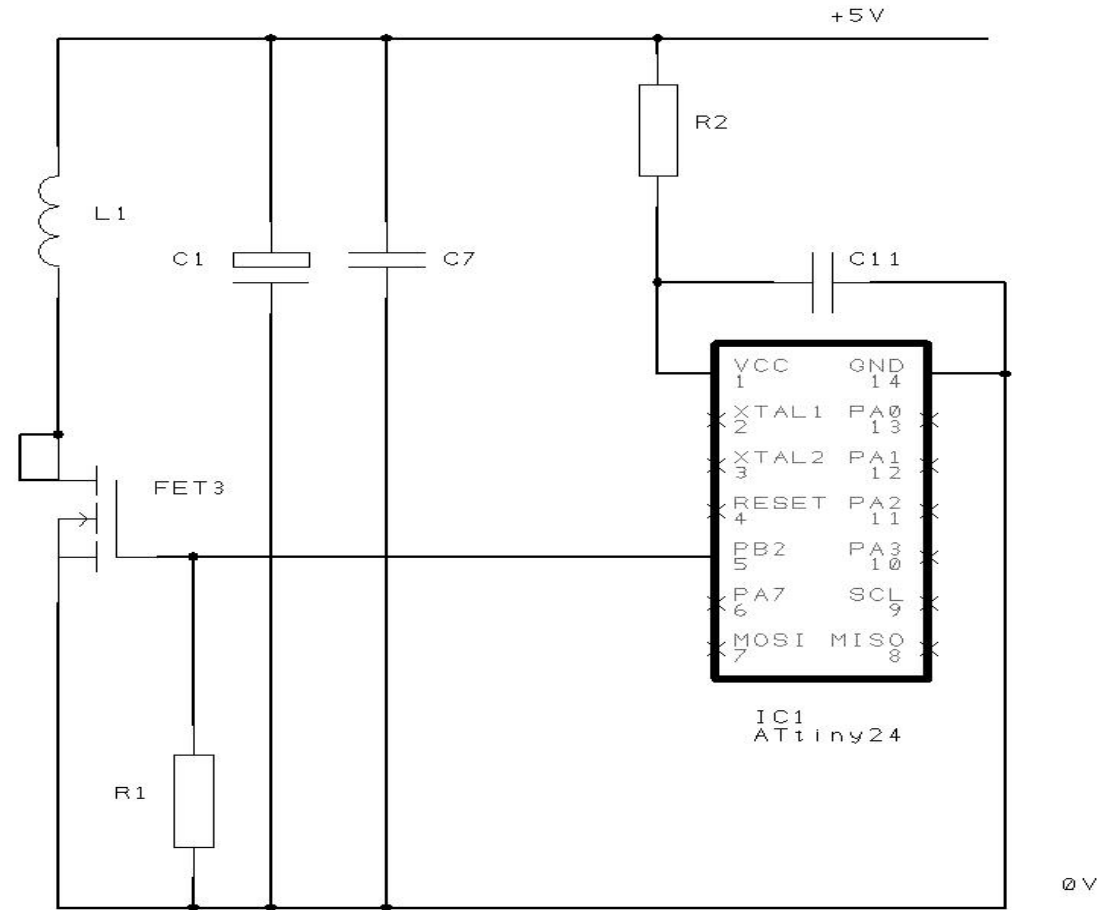
A typical photodiode reflected light sensor circuit.



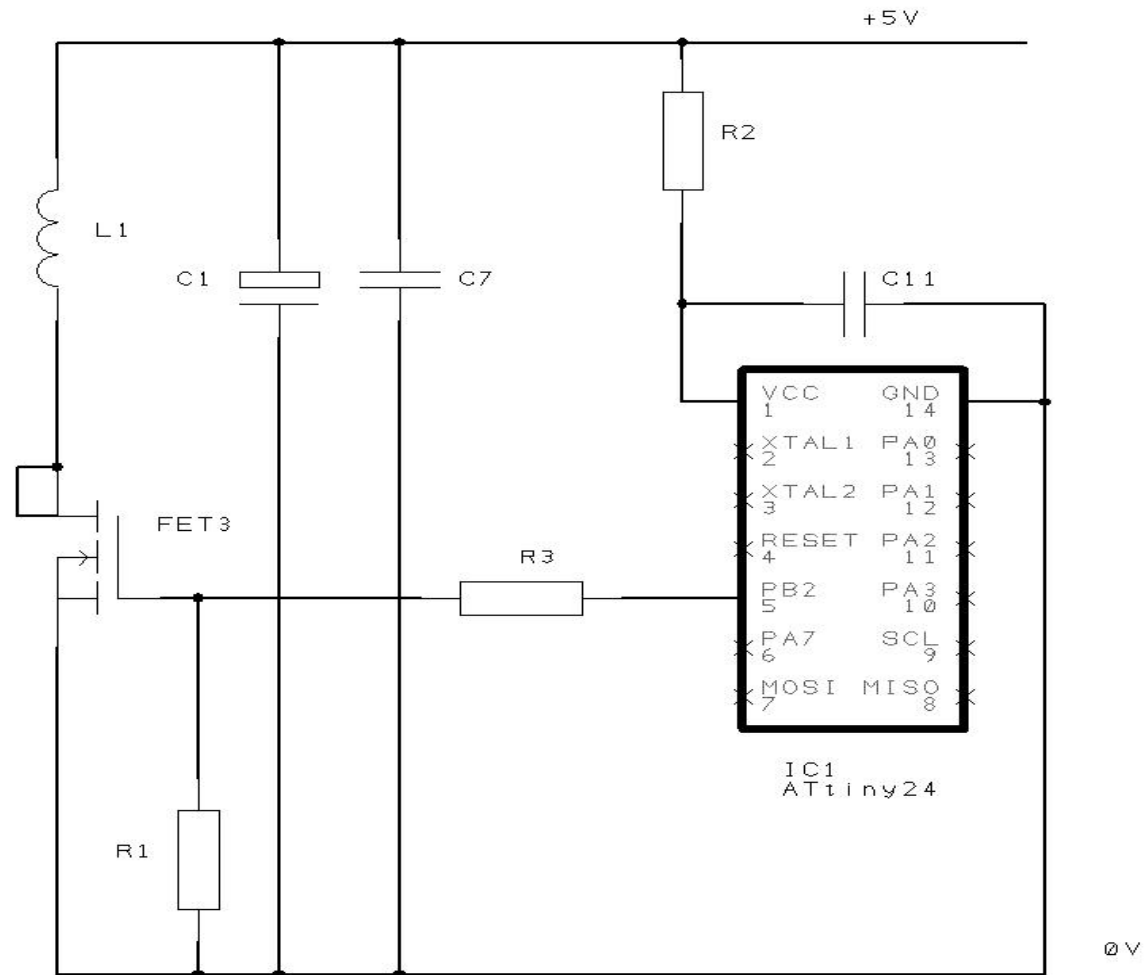
Typical ADC input waveform.

Lesson #1 RTFM (very carefully)

#2 The “FM” is no help!



What turned out to be the cause of a problem.



A cheap solution

The moral:

The moral:

There isn't one, just caveat
emptor and careful debugging.